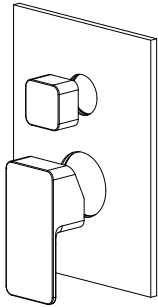
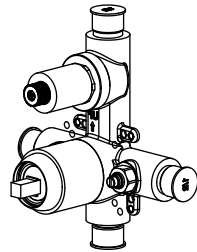


### 196.2100 | Tub / Shower Trim Set With Pressure Balance Valve & 2-Way Diverter with Integrated Volume Control



+



#### SPECIFICATIONS:

- Includes Pressure balance valve (PBV1005A\*\*) w/ service stops
- Lift Handle to control volume. Turn left for hot, right for cold.
- Small knob controls 2-way water diversion
- Pressure Balance Valve Flow Rate - 5.5 GPM @ 60 PSI
- Extension Available - PBV.2100E\*\*

#### FAST SHIP FINISHES:

- Chrome - 196.2100CP / Brushed Nickel - 196.2100BN

Trim  
[ 196.2100T\*\* ]

Valve  
[ PBV1005A\*\* ]

\*\* Denotes Finish (CP, BN, etc.)

Legislation Compliance

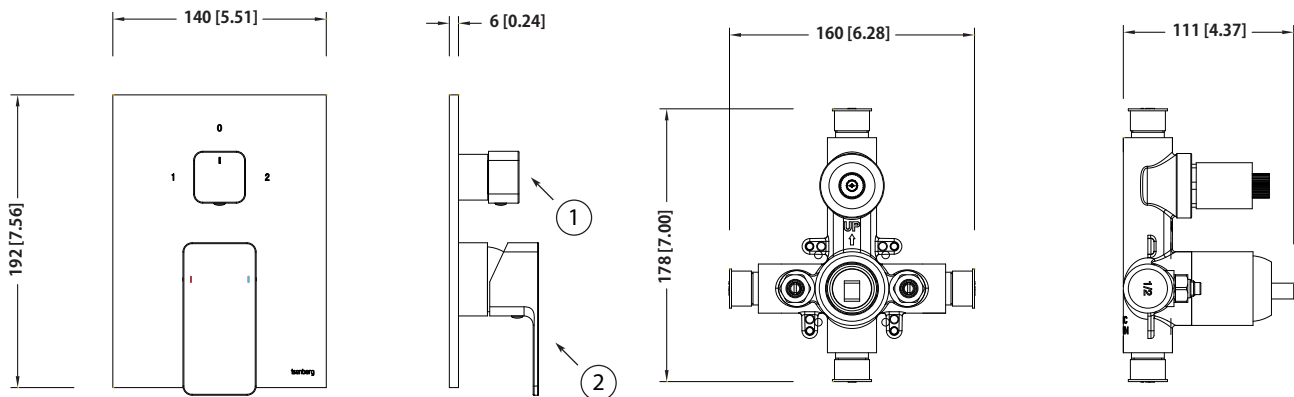


ZeroDrip Technology

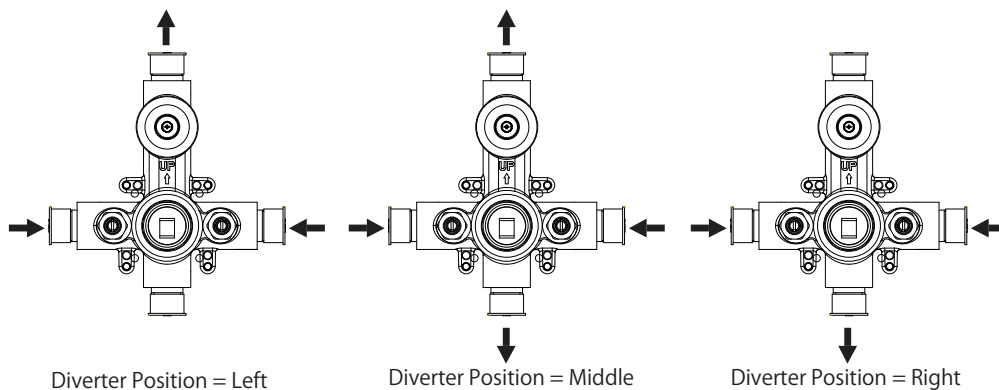


See Spec Sheet For  
PBV1005A For Detailed  
Information On Valve.

#### Technical Diagram



#### Water Diversion Diagram





**PBV1005A | Pressure Balance Valve With Integrated 2-Way Diverter** Page 1 of 2

**SPECIFICATIONS:**

- Lift Handle to control volume. Turn left for hot, right for cold.
- Knob controls 2-way water diversion - shared output.
- Pressure Balance Valve Flow Rate - 5.5 GPM @ 60 PSI

**FAST SHIP FINISHES :**

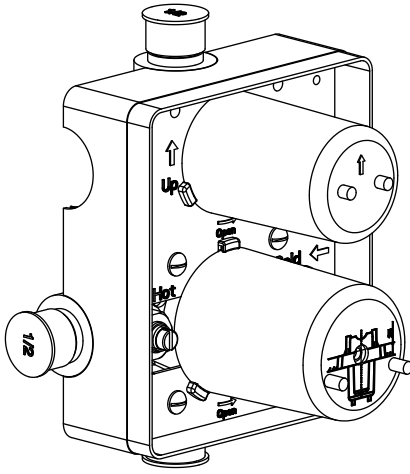
- Chrome - PBV1005ACP / Brushed Nickel - PBV1005ABN /

**STANDARDS:**

- ASME A112.18.1 / CSA B125.1

**WARRANTY:**

- Limited lifetime warranty to the original consumer purchaser against finish and workmanship

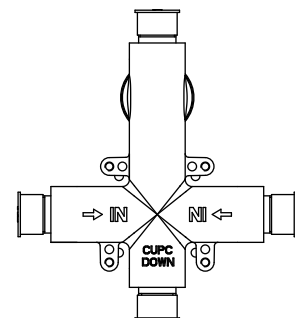
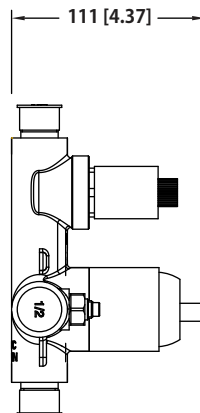
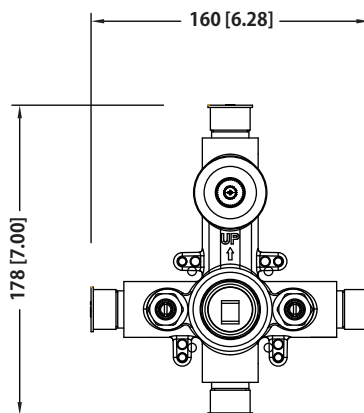
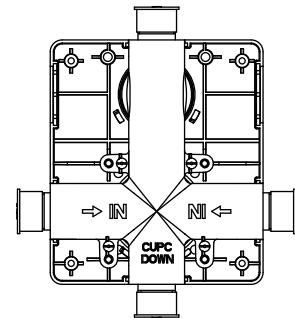
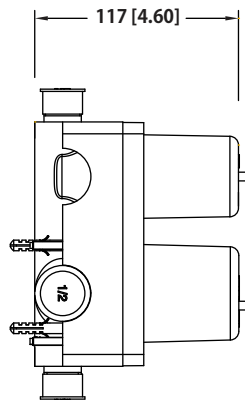
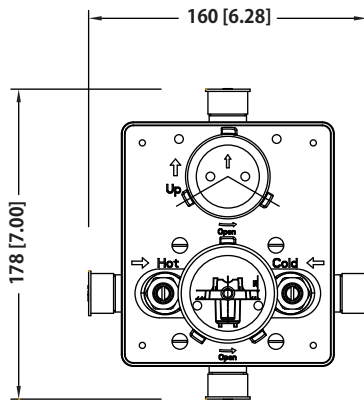


Legislation Compliance

ZeroDrip Technology



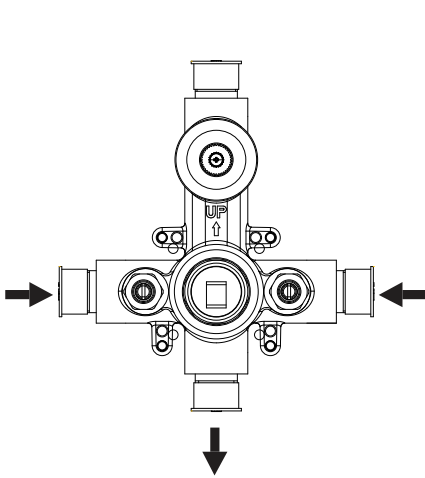
**Technical Diagram**



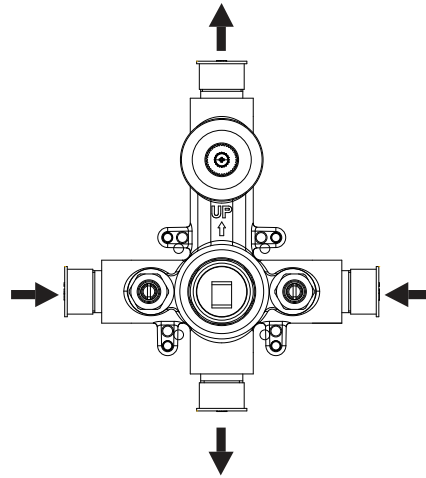
PBV1005A | Pressure Balance Valve With Integrated 2-Way Diverter Page 2 of 2



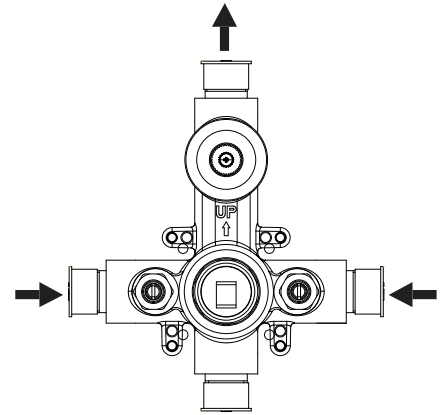
Water Diversion Diagram



Diverter Position = Left



Diverter Position = Middle  
Shared Flow is Low Transition Flow



Diverter Position = Right